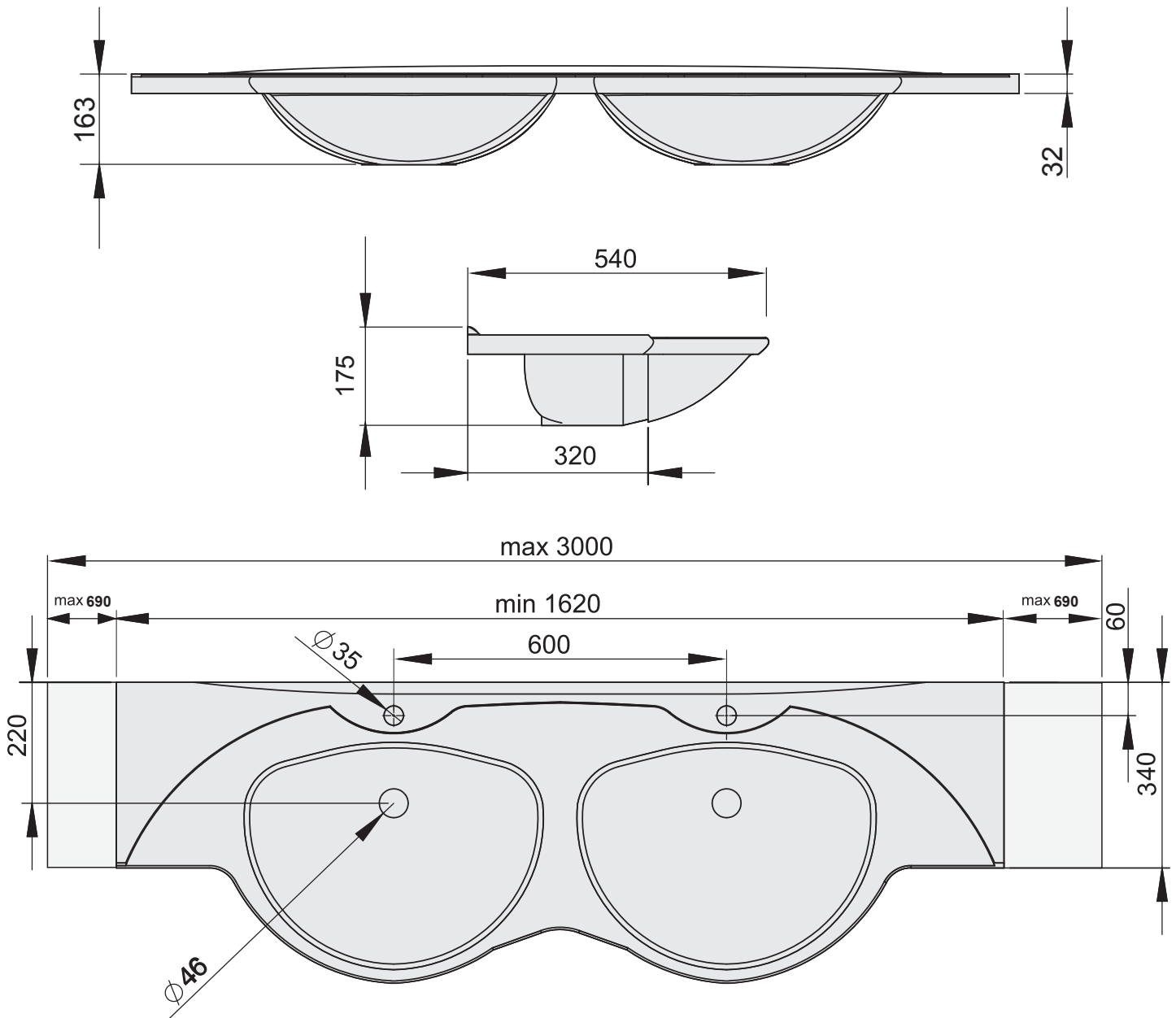


PAA



- Allowable deviation limit of product's length and width up to 1 meter:  $\pm 5$ mm; over 1 meter:  $-5$ mm /  $+10$  mm.
- PAA reserves the right to discontinue or change models, colours and design specifications without prior notice and without incurring of any obligations.

**BETA DUO**