



OWNERS MANUAL

Congratulations on the purchase of your bathtub!

CELLO

Please read and follow all the instructions contained in this Owners Manual before installing your bathtub. In addition, you should refer to these instructions during the life of your bathtub.

Upon receipt, immediately inspect the bathtub to make sure the unit has shipped as ordered and has arrived undamaged. If a problem is discovered, call your PAA dealer immediately. Handling damages are not covered under warranty.

Instruction for bathtub installation

Only a qualified serviceman should perform the installation of your bathtub.

Preparation of area

As the front panel of the tub must be freely moved either during the installation or exploitation, choose the right area in which to install the bathtub.

Prepare the floor and walls before installation works. The corner in which the tub will be installed, as well as the walls must be in straight angle against to floor to avoid possible gaps between tub and wall.

The place under the tub must be in the same level as the floor.

All drain connections should fit in between bathtub and its legs (see the drawing).

The centre of drain is pointed in the drawing. Before assembling connections check the inlet of drainage (\varnothing 50 mm); it must be either in the same level or maximum 50 mm from the floor and not closer within a radius of 200 mm from the centre of bathtubs drain outlet (see the drawing).

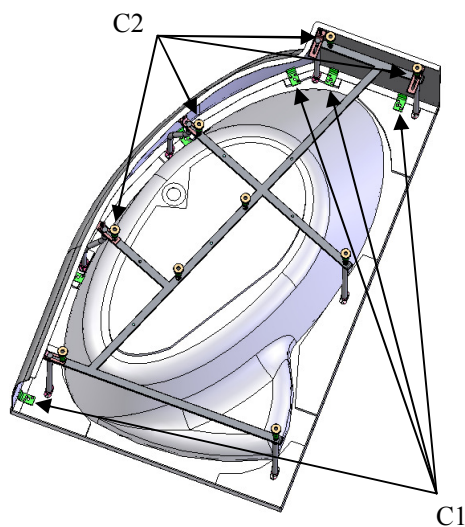
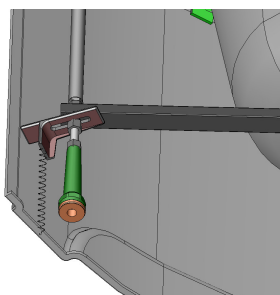
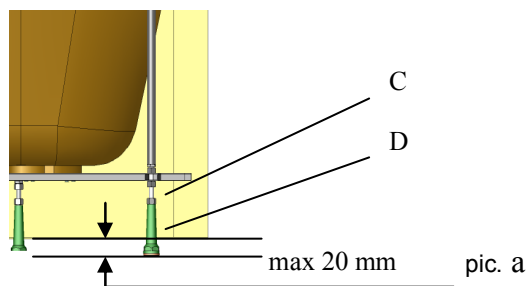
In case the mixers are installed on the edge of the tub outlet pipes for hot and cold water with the $\frac{1}{2}$ " threads must be arranged under the unit.

All the models of PAA tubs and whirlpools could be installed in built-in version without front panel. For built-in version plan and provide access door for reaching the most significant massage system parts (water pump and air blower). Please consult with PAA or its dealers in these cases.

Also provide the necessary space around the water pump and blower to properly ventilate and cool them during operation. For built-in tub there is necessary to plan ventilation access door as well.

Electrical connection of the whirlpools

Grounding is required. Connect the tub to 230V, 50Hz wiring connection. Provide to each system proper electric power, choose the right crosscut cable. Use for system separate 16A differential safety catch (electric current loss max. 30 mA). Advised length for cable is 150 cm.



pic. b

Installation of bathtub

When place for tub is prepared, water and drainage assembled, bathtub is ready for installation.

Adjust the height of the tub using unit feet (drawing a); loosen the nut C, adjust the right height of the feet D. Fix the feet D and fasten the nut C.

The distance between front panel and the floor has to be less than 20 mm.

Installation of bathtub panels

Fix the front panel with springs and angles (drawing b), the lower edge of the panel with springs (position C2) to the frame and upper edge put between angles and tub's body (position C1).

Instruction for bathtub and whirlpool using

Clean the tub after using with soft cloth, in case of necessity use sanitary cleaning liquid (such as Cillit, Ajax). Avoid abrasive, acid and alkaline cleaners!

Avoid the contact with hot objects (such as cigarettes, hairdryer, all kind of candles and others with temperature more than +85°C) and open flame with the bathtub's surface.

Avoid durable contact of the following substances with the tub's surface:

Silicone oils, spirits (over 30%), all-purpose adhesives, sprayers, inapplicable sanitary cleaners and disinfectants, hydrogen peroxide, pesticides dissolved in water, derv, acrylic paints and varnishes, acetic acid up to 25%, other active chemical substances.

Exclude the tub's surface contact with the following substances:

Sealing compounds on acrylic and polyurethane base, camphor, nail varnish and remover of nail varnish, foam plastic, PVC and rubber in plastic condition, concentrated methyl alcohol, stain removers, iodine tincture, gasoline, solvents, nitrocellulose varnish, concentrated acetic acid, acetone, liquid ammonia, chlorine, ether high acids.

For more detailed information contact manufacturer PAA.

Avoid mechanical damages of unit – hard impacts and scratches.

Do cleaning of massage system pipes with professional liquids not less than once in 2-3 months.

First fill up the tub with the cold water and only then with hot one.

In case water mixer is leaking or damaged, fix or change it immediately.

Warranties

All PAA products are provided 2 years warranty.

Warranty for PAA bathtubs' surface is 5 years.

All massage tubs, installed by PAA certified specialists, are provided 3 years warranty.

Warranty requirements

The warranty shall not apply to:

damage caused by incorrect transportation or inadequate packing during shipment

damage caused by failure to adhere to any of the operating, installation or maintenance instructions stated in our manual

any incorrect operating procedures in bathtub or whirlpool, breakage or damages caused by the fault, carelessness, misuse, improper maintenance, abuse or modification of the product, as well as any chemical or natural corrosion, fire or any other causality

damages caused by using in conditions which the bathtub is not provided for.

PAA reserves the right to discontinue or change models, colours and design specifications without prior notice and without incurring of any obligations.